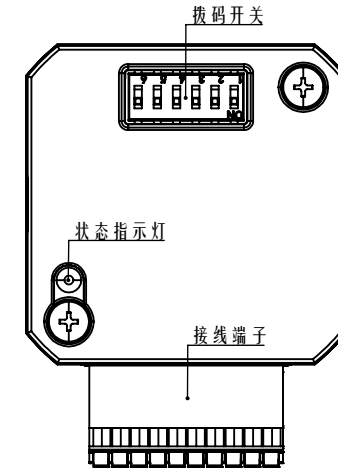
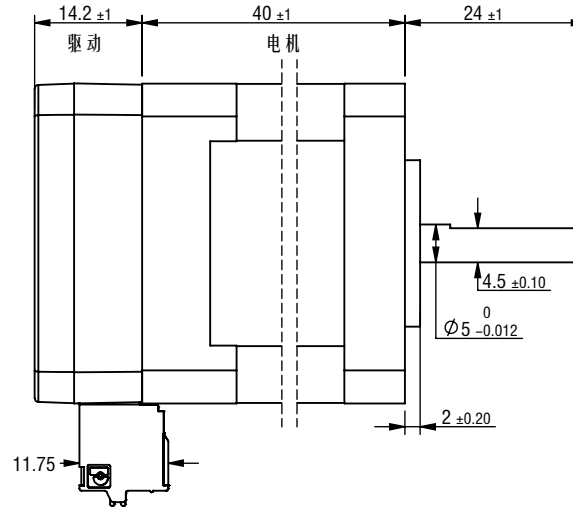
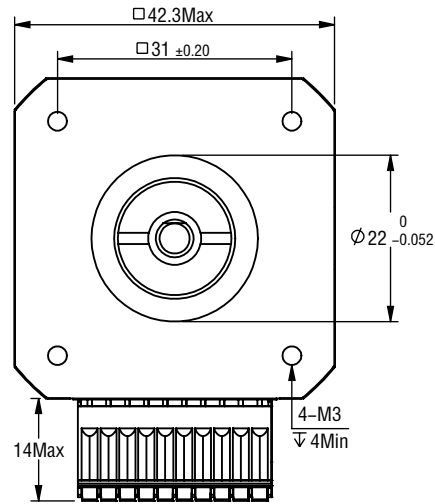


※ 尺寸/Dimensions 单位/Unit: (mm)

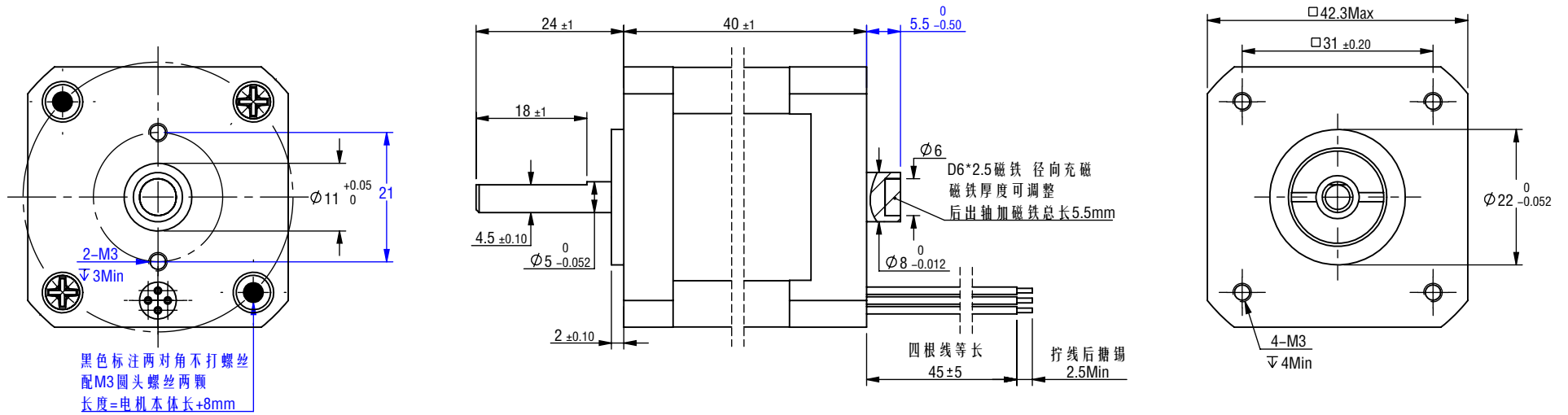


| ※ 规格/ Specification | | ※ 端口功能/Port Function | | ※ 端子定义/Terminal definitions | | ※ 铭牌内容/Label discription | | | | | | | | | | | | | | | | | | | | | | | | | | | | | | | | | |
|---------------------|-----------------------------|-----------------------------|------|---|---|---|----------------------------------|-------------|---|-----|-----|-----|-----|-----|-----|-----|-----|-----|----|-----|-----|-----|----|-----|-----|-----|----|-----|-----|-----|----|-----|-----|-----|----|-----|-----|----|----|
| 输入电压范围 | 8-48vdc | 序号 | 名称 | 第一角画法 Frist Angel View | | 型号/Model | IG42ET04-B3 | | | | | | | | | | | | | | | | | | | | | | | | | | | | | | | | |
| 输出力矩范围 | 最大0.4N.m | 1 | V+ | 电源正 (8-48vdc) | 电源正 (V+) | 品号/Product No. | | | | | | | | | | | | | | | | | | | | | | | | | | | | | | | | | |
| 电流设置 | 软件可调, 0.5-6.5可调, 出厂适配电机 | 2 | V- | 电源地 (GND) | 电源负 (V-) | | | | | | | | | | | | | | | | | | | | | | | | | | | | | | | | | | |
| 细分设置 | 软件200-1000000整数可调, 出厂默认4000 | 3 | X0+ | 光电隔离, 差分, 兼容5-24VDC, 可作为通用输入或高速脉冲输入, 滤波频率300KHz, 可通过上位机定义端口功能, 滤波频率。 | 输入0正 (X0+) | 名称/Name | 集成式步进伺服 Integrated step servo | | | | | | | | | | | | | | | | | | | | | | | | | | | | | | | | |
| 编码器反馈 | 1000线(4000 Counts)编码器反馈 | 4 | X0- | | 输入0负 (X0-) | | | | | | | | | | | | | | | | | | | | | | | | | | | | | | | | | | |
| 非易失性存储 | 配置参数存储在MCU内部的FLASH中 | 5 | X1+ | 光电隔离, 差分, 兼容5-24VDC, 可作为通用输入或高速脉冲输入, 滤波频率300KHz, 可通过上位机定义端口功能, 滤波频率。 | 输入1正 (X1+) | 公差 Tolerance | 比例 Scale | 页码 Sheet | | | | | | | | | | | | | | | | | | | | | | | | | | | | | | | |
| 重量 | ≈ 0.3 Kg | 6 | X1- | | 输入1负 (X1-) | | | | ±0.3 | 1:1 | 1/1 | | | | | | | | | | | | | | | | | | | | | | | | | | | | |
| 转子惯量 | ≈ 54 g.cm ² | 7 | 485A | 通讯端口, 通过主站MODBUS指令可对从站驱动器进行控制, 注意主站波特率必须与从站一致, 出厂默认波特率为115200, 数据位8, 停止位1, 无校验。 | 通讯接口 | 深圳市立三机电有限公司 Shenzhen Lisan Machinery & Electric Co., Ltd | | | | | | | | | | | | | | | | | | | | | | | | | | | | | | | | | |
| 通讯方式 | Modbus-RS485 | 8 | 485B | 输出接口 | Type: IG42ET04-B3 1.8DEG 2.0A 8-48 VDC INPUT www.lesn.com Pro. Date:2021/12/06 | | | | | | | | | | | | | | | | | | | | | | | | | | | | | | | | | | |
| 波特率 | 115200 | 9 | Y0+ | 报警状态输出端口, 可检测电机报警状态, 默认常闭, 正常时输出。可通过软件取反或设置成其他功能。 | | | | 输出0正 (Y0+) | 备注: 需要其他地址可通过上位机设置基地址, 默认基地址为1。实际地址=拨码地址+基地址-1 SW6: 用于设定终端电阻, OFF时为0欧姆, ON时为120欧姆 | | | | | | | | | | | | | | | | | | | | | | | | | | | | | | |
| 数据位 | 8 | 10 | Y0- | | 输出0负 (Y0-) | | | | | | | | | | | | | | | | | | | | | | | | | | | | | | | | | | |
| 停止位 | 1 | ※ 拨码设置/Serial port Settings | | | | | | | | | | | | | | | | | | | | | | | | | | | | | | | | | | | | | |
| 校验位 | 无 | 地址 | 1 | 2 | 3 | 4 | 5 | 6 | 7 | 8 | 9 | 10 | 11 | 12 | 13 | 14 | 15 | 16 | 17 | 18 | 19 | 20 | 21 | 22 | 23 | 24 | 25 | 26 | 27 | 28 | 29 | 30 | 31 | 32 | | | | | |
| | | SW1 | ON | OFF | ON | OFF | ON | OFF | ON | OFF | ON | OFF | ON | OFF | ON | OFF | ON | OFF | ON | OFF | ON | OFF | ON | OFF | ON | OFF | ON | OFF | ON | OFF | ON | OFF | ON | OFF | ON | OFF | | | |
| | | SW2 | ON | ON | OFF | OFF | ON | ON | OFF | OFF | ON | ON | OFF | OFF | ON | ON | OFF | OFF | ON | ON | OFF | OFF | ON | ON | OFF | OFF | ON | ON | OFF | OFF | ON | ON | OFF | OFF | ON | ON | OFF | | |
| | | SW3 | ON | ON | ON | ON | OFF | OFF | OFF | ON | ON | ON | ON | OFF | OFF | ON | ON | ON | ON | ON | OFF | OFF | ON | ON | ON | ON | ON | ON | ON | ON | ON | ON | ON | ON | ON | ON | ON | ON | |
| | | SW4 | ON | ON | ON | ON | ON | ON | ON | OFF | OFF | OFF | OFF | OFF | OFF | ON | ON | ON | ON | ON | ON | ON | ON | ON | ON | ON | ON | ON | ON | ON | ON | ON | ON | ON | ON | ON | ON | ON | |
| | | SW5 | ON | ON | ON | ON | ON | ON | ON | ON | ON | ON | ON | ON | ON | ON | ON | ON | ON | ON | ON | ON | ON | ON | ON | ON | ON | ON | ON | ON | ON | ON | ON | ON | ON | ON | ON | ON | ON |



深圳市立三机电有限公司
Shenzhen Lisan Machinery & Electric Co., Ltd

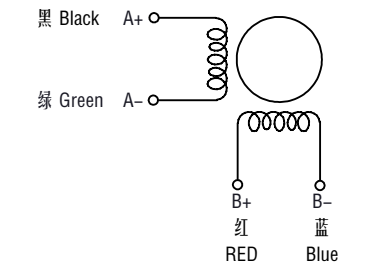
※ 尺寸/Dimensions 单位/Unit: (mm)



※ 电机规格/Motor Specification

| | |
|---------------------------------------|------------------------|
| 相数/No. of phase | 2 相/phase |
| 步距角/Basic step angle | 1.8° |
| 步距角误差(空载)Positional accuracy(no-load) | ±0.09° 以下/Max |
| 额定电流/Rated current | 2.0 A |
| 保持扭矩/Holding torque | 0.4 N.m |
| 相电阻/Phase resistance | 1.1 ± 10% ohm(20°C) |
| 相电感/Phase inductance | 2.0 ± 20% mH(1KHz) |
| 转子惯量/Rotor inertia | ≈ 54 g.cm ² |
| 重量/Weight | ≈ 0.3 Kg |
| 绝缘耐压/Dielectric strength | 500V A.C |
| 绝缘电阻/Insulation resistance | 100MΩ 以上/MIN |
| 绝缘等级/Insulation class | B |
| 使用温度范围/Operation ambient temperature | 0°C~+50°C |
| 使用湿度范围/Operation ambient humidity | 20%RH~90%RH |
| 保存温度范围/Storage ambient temperature | -20°C~+70°C |
| 保存湿度范围/Storage ambient humidity | 15%RH~95%RH |

※ 接线图/Wiring diagram

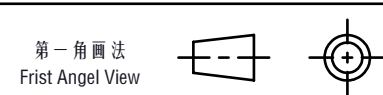


※ 励磁顺序 (2相励磁)
Phase sequence(2 phase exciting)

| Step | A | A- | B | B- |
|------|---|----|---|----|
| 1 | + | + | - | - |
| 2 | - | + | + | - |
| 3 | - | - | + | + |
| 4 | + | - | - | + |

CW (Clockwise) and CCW (Counter-clockwise) directions are indicated.

※ 铭牌内容
Label description



名称/Name
两相步进电机
2 phase stepping motor

型号/Model
IC42A04-B3B20D05

品号/Product No.

| 版本.Rev | 日期/Date | 变更内容/Revision record | 公差 Tolerance | 比例 Scale | 页码 Sheet | 客户型号 Customer model | 客户品号 Customer Product No. |
|------------|------------|-----------------------------------|--------------|----------|----------|---|---------------------------|
| B | 2022/11/29 | 后出轴改为负公差; 后盖加两个M3螺丝孔, 配的两颗螺丝减短1MM | ±0.3 | 1:1 | 1/1 | | |
| A | 2022/07/06 | 初版 | | | | | |
| 制图 Drawn | Name | Date | 设计 Design | Name | Date | 深圳市立三机电有限公司 Shenzhen Lisan Machinery & Electric Co., Ltd | |
| 审核 Checked | | | 批准 Approved | | | | |